

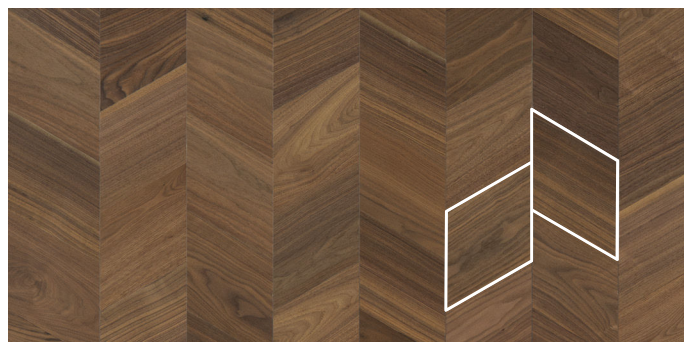
# RHOMBUS CHEVRON IRREGULAR

# ESSENCE

PREMIUM CUSTOM MADE PARQUET COLLECTION

## PATTERN / MODEL / LAYING PATTERN

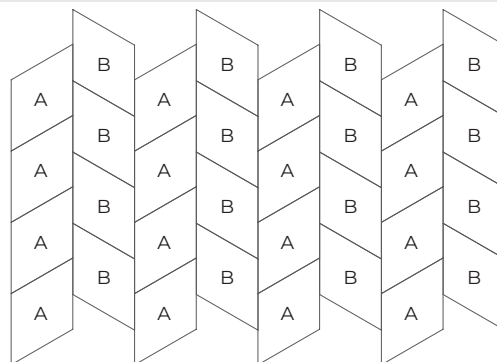
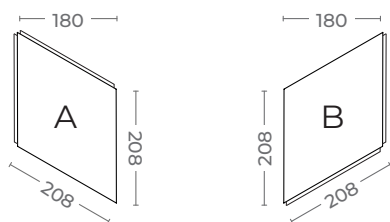
<b>COLLECTION</b>	RHOMBUS
Pattern	Chevron Irregular
Wood Species	American Walnut
Grade	Natural
Surface Machining	Brushed
Finish	Oiled
Constructions	multi-layered engineered parquet
Size	14/3 x 180 x 208 mm
Joint	T&G
Installation type	Full surface glued down
Underfloor Water Heating	Suitable*



\*read installation instructions - underfloor heating protocol

## BILL OF MATERIAL

(measurements in mm)



## CONSTRUCTION

### DIMENSIONS

Thickness	14 mm
Width	180 mm
Length	208 mm
Toplayer thickness	3 mm
Top layer construction	Solid wood (American Walnut)
Core thickness	11 mm
Core construction	Plywood (Birch)
Microbevel	0,3 mm
Joint type	Tongue and Groove (T&G)

### PACKAGING

<b>BOX</b>	
Content	30 pcs
Area content	1,125 m <sup>2</sup>
Weight	9,0 kg
H x W x L	150 x 365 x 365 mm

## FINISH

### BRUSHED

Soft wood removed from the surface with brush rollers so that only hard wood remains. The surface is harder and more resistant to scratches and impacts.

## STORAGE AND USAGE



- Air humidity 45 % - 60 %
- Floor temperature +20 ° - +22 °
- Air temperature 18 ° - 24 °



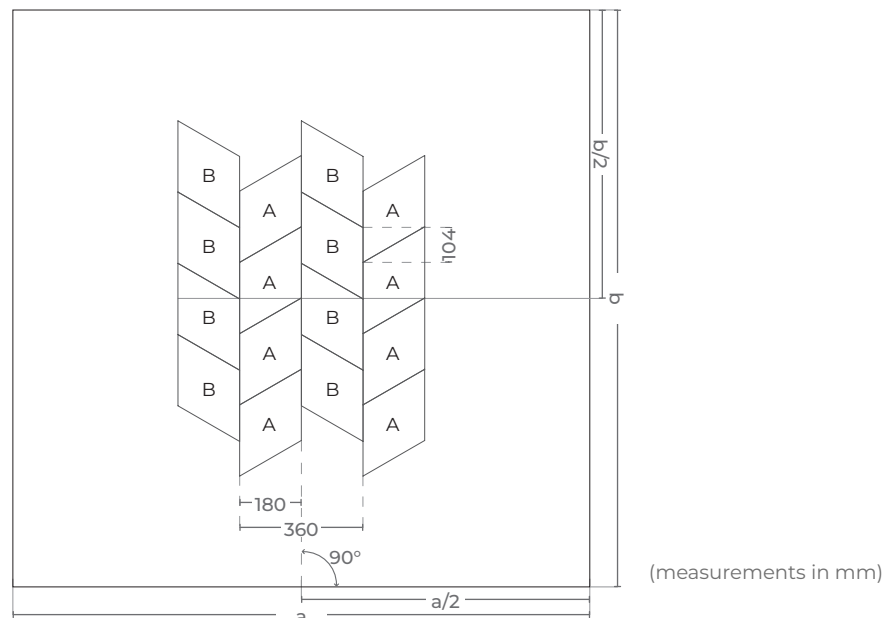
## GRADE

PROPERTY	NATURAL
General description	Boards with a uniform structure, combined with boards with natural wood color diversity.
Color variation	Homogeneous, natural contrast
Sound knot	Permitted - smaller
Black knot (not in groups)	Permitted - smaller
Cracks	Smaller ones are allowed, filled with black or natural-colored filler.
Tangenital board	Permitted
Rough wooden structure	Permitted
Cross grained wood	Permitted
Holes made by insects and blue stain	Not permitted
Sapwood	Permitted - smaller
End knots	Permitted

## INSTALLATION



Glue down over concrete, plywood or wooden subfloor or nail down over wooden subfloor. Applicable above, on and below ground level. Suitable for installation over radiant heating systems.



## MAINTENANCE AND CARE CONDITIONS

Maintenance of hardwood Floors with Silk finish assumes regular (daily if necessary) cleaning from dust and grit using a vacuum, followed by a thorough cleaning with Coswick Hardwood Floor Cleaner or other similar products. Floor surface areas that receive the most trac and get worn down quicker, such as areas by the front door, hallways, kitchens etc., should be periodically renewed with special Coswick Restorative Oil. This product restores the protective surface. Frequency of use depends on type of interior and intensity of foot trac. For residential interiors, restorative cleaning should be done once in 3-5 years; for public and commercial interiors with intense foot trac, it is recommended to use the product 2-4 times a year.

Signed for and on behalf on the manufacturer by:

Anže Kranjec,  
Podkrajnik, 31. 01. 2025

  
Podkrajnik 112 / 1380 Cerklje na Gorenjskem



  
ALPOD

MADE IN  
**EU**

[www.alpod.eu/essence-parquet-flooring](http://www.alpod.eu/essence-parquet-flooring)