

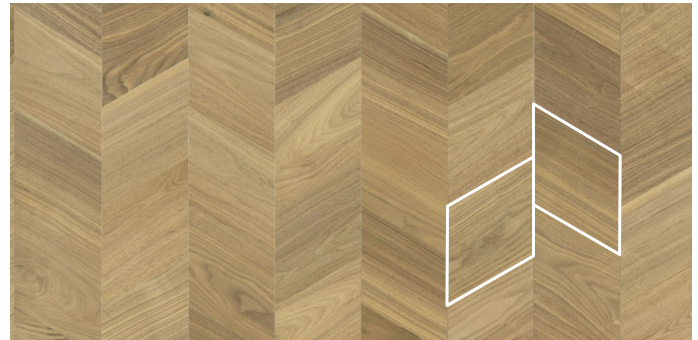
# RHOMBUS CHEVRON IRREGULAR

# ESSENCE

PREMIUM CUSTOM MADE PARQUET COLLECTION

## PATTERN / MODEL / LAYING PATTERN

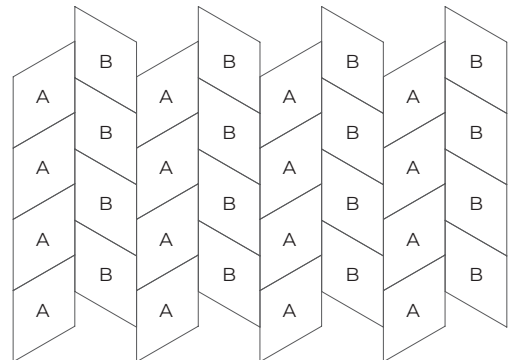
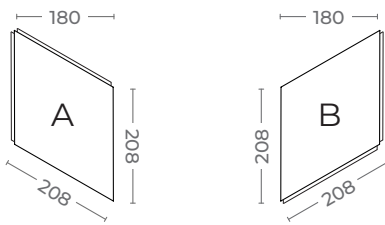
<b>COLLECTION</b>	RHOMBUS
Pattern	Chevron Irregular
Wood Species	European Oak
Grade	Elegant / Standard
Surface Machining	Sanded / Brushed / Handscraped / Sawn Brushed
Finish	Oiled
Constructions	multi-layered engineered parquet
Size	14/3 x 180 x 208 mm
Joint	T&G
Installation type	Full surface glued down
Underfloor Water Heating	Suitable*



\*read installation instructions - underfloor heating protocol

## BILL OF MATERIAL

(measurements in mm)



## CONSTRUCTION

<b>DIMENSIONS</b>	
Thickness	14 mm
Width	180 mm
Length	208 mm
Toplayer thickness	3 mm
Top layer construction	Solid wood (European Oak)
Core thickness	11 mm
Core construction	Plywood (Birch)
Microbevel	0,3 mm
Joint type	Tongue and Groove (T&G)

<b>PACKAGING</b>	BOX
Content	30 pcs
Area content	1,125 m <sup>2</sup>
Weight	8,7 kg
H x W x L	150 x 365 x 365 mm

## STORAGE AND USAGE



- Air humidity 45 % - 60 %
- Floor temperature +20 ° - +22 °
- Air temperature 18 ° - 24 °

## FINISH

### SANDED

Smooth surface, sanded and protected with oil, preserving the natural appearance of wood.

### BRUSHED

Soft wood removed from the surface with brush rollers so that only hard wood remains. The surface is harder and more resistant to scratches and impacts.

### HANDSCRAPED

Slightly wavy surface. Boards are protected with oil, maintaining the authentic, rustic appearance of wood.

### SAWN BRUSHED

Emphasized natural wood texture, protected with oil. Significantly increased durability and resilience.



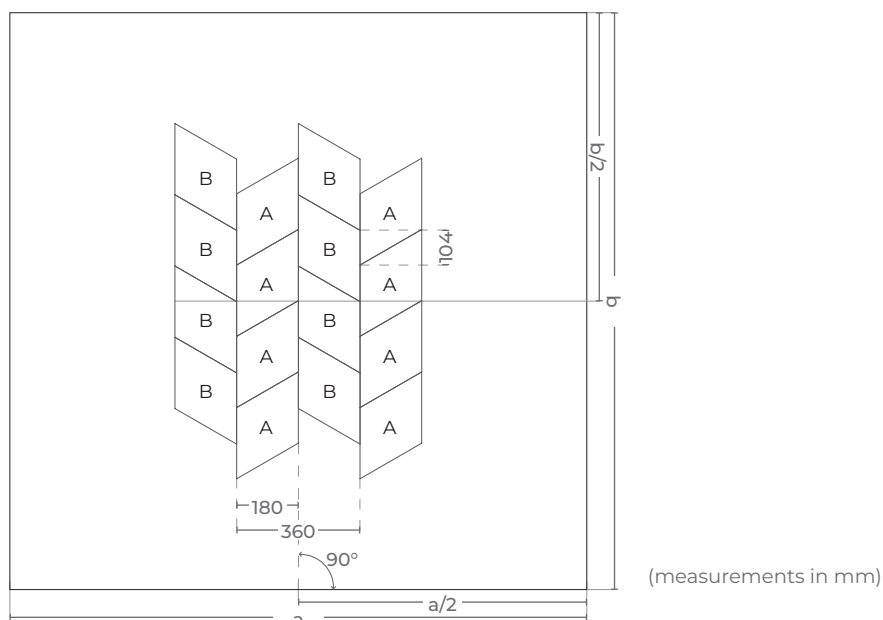
## GRADE

PROPERTY	ELEGANT	STANDARD
General description	Wood selection with a completely uniform plank structure and color. Small knots are allowed. Cracks are not allowed.	Planks with a natural color diversity and instances of sapwood; knots can be more frequently present, smaller cracks are sealed with a black or natural-colored filler.
Color variation	Homogeneous	Homogeneous, natural contrast
Sound knot	Permitted - smaller	Permitted
Black knot (not in groups)	Permitted - smaller	Permitted
Cracks	Not permitted	Smaller ones are allowed, filled with black or natural-colored filler.
Tangential board	Permitted	Permitted
Rough wooden structure	Permitted individually	Permitted
Cross grained wood	Permitted individually	Permitted
Holes made by insects and blue stain	Not permitted	Not permitted
Sapwood	Not permitted	Permitted
End knots	Permitted individually	Permitted individually

## INSTALLATION



Glue down over concrete, plywood or wooden subfloor or nail down over wooden subfloor. Applicable above, on and below ground level. Suitable for installation over radiant heating systems.



## MAINTENANCE AND CARE CONDITIONS

Maintenance of hardwood Floors with Silk finish assumes regular (daily if necessary) cleaning from dust and grit using a vacuum, followed by a thorough cleaning with Coswick Hardwood Floor Cleaner or other similar products. Floor surface areas that receive the most trac and get worn down quicker, such as areas by the front door, hallways, kitchens etc., should be periodically renewed with special Coswick Restorative Oil. This product restores the protective surface. Frequency of use depends on type of interior and intensity of foot trac. For residential interiors, restorative cleaning should be done once in 3-5 years; for public and commercial interiors with intense foot trac, it is recommended to use the product 2-4 times a year.

Signed for and on behalf on the manufacturer by:

Anže Kranjec,  
Podskrajnik, 31. 01. 2025

  
Podskrajnik 112 / 1380 Cerklje na Gori, Slovenia




  
ALPOD

MADE IN  
**EU**

[www.alpod.eu/essence-parquet-flooring](http://www.alpod.eu/essence-parquet-flooring)