

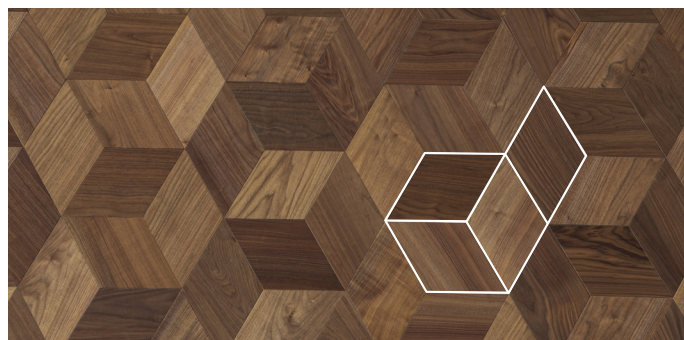
RHOMBUS DIAMOND IRREGULAR

ESSENCE

PREMIUM CUSTOM MADE PARQUET COLLECTION

PATTERN / MODEL / LAYING PATTERN

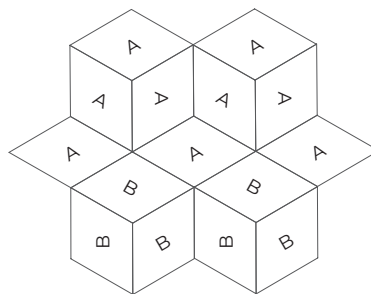
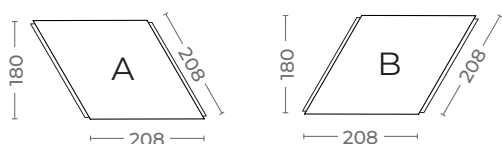
| | |
|--------------------------|----------------------------------|
| COLLECTION | RHOMBUS |
| Pattern | Diamond Irregular |
| Wood Species | American Walnut |
| Grade | Natural |
| Surface Machining | Brushed |
| Finish | Oiled |
| Constructions | multi-layered engineered parquet |
| Size | 14/3 x 180 x 208 mm |
| Joint | T&G |
| Installation type | Full surface glued down |
| Underfloor Water Heating | Suitable* |



*read installation instructions - underfloor heating protocol

BILL OF MATERIAL

(measurements in mm)



CONSTRUCTION

| | |
|------------------------|------------------------------|
| DIMENSIONS | |
| Thickness | 14 mm |
| Width | 180 mm |
| Length | 208 mm |
| Toplayer thickness | 3 mm |
| Top layer construction | Solid wood (American Walnut) |
| Core thickness | 11 mm |
| Core construction | Plywood (Birch) |
| Microbevel | 0,3 mm |
| Joint type | Tongue and Groove (T&G) |

| | |
|------------------|----------------------|
| PACKAGING | BOX |
| Content | 30 pcs |
| Area content | 1,125 m ² |
| Weight | 9,0 kg |
| H x W x L | 150 x 365 x 365 mm |

FINISH

BRUSHED

Soft wood removed from the surface with brush rollers so that only hard wood remains. The surface is harder and more resistant to scratches and impacts.

STORAGE AND USAGE



- Air humidity 45 % - 60 %
- Floor temperature +20 ° - +22 °
- Air temperature 18 ° - 24 °



BRUSHED

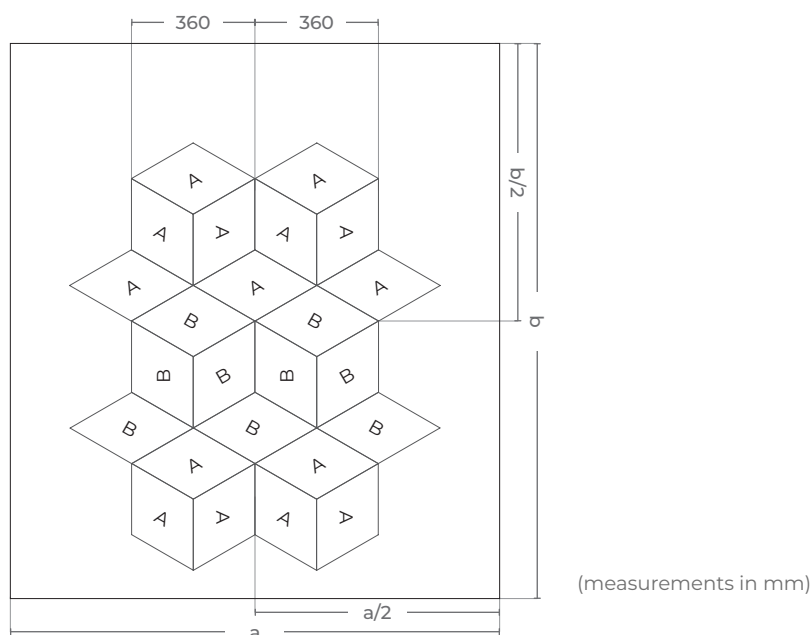
GRADE

| PROPERTY | NATURAL |
|--------------------------------------|--|
| General description | Boards with a uniform structure, combined with boards with natural wood color diversity. |
| Color variation | Homogeneous, natural contrast |
| Sound knot | Permitted - smaller |
| Black knot (not in groups) | Permitted - smaller |
| Cracks | Smaller ones are allowed, filled with black or natural-colored filler. |
| Tangenital board | Permitted |
| Rough wooden structure | Permitted |
| Cross grained wood | Permitted |
| Holes made by insects and blue stain | Not permitted |
| Sapwood | Permitted - smaller |
| End knots | Permitted |

INSTALLATION



Glue down over concrete, plywood or wooden subfloor or nail down over wooden subfloor. Applicable above, on and below ground level. Suitable for installation over radiant heating systems.



MAINTENANCE AND CARE CONDITIONS

Maintenance of hardwood Floors with Silk finish assumes regular (daily if necessary) cleaning from dust and grit using a vacuum, followed by a thorough cleaning with Coswick Hardwood Floor Cleaner or other similar products. Floor surface areas that receive the most trac and get worn down quicker, such as areas by the front door, hallways, kitchens etc., should be periodically renewed with special Coswick Restorative Oil. This product restores the protective surface. Frequency of use depends on type of interior and intensity of foot trac. For residential interiors, restorative cleaning should be done once in 3-5 years; for public and commercial interiors with intense foot trac, it is recommended to use the product 2-4 times a year.

Signed for and on behalf on the manufacturer by:

Anže Kranjec,
Podskrajnik, 31. 01. 2025


Podskrajnik 112 / 1380 Cerklje ob nozdrju




ALPOD

MADE IN
EU

www.alpod.eu/essence-parquet-flooring